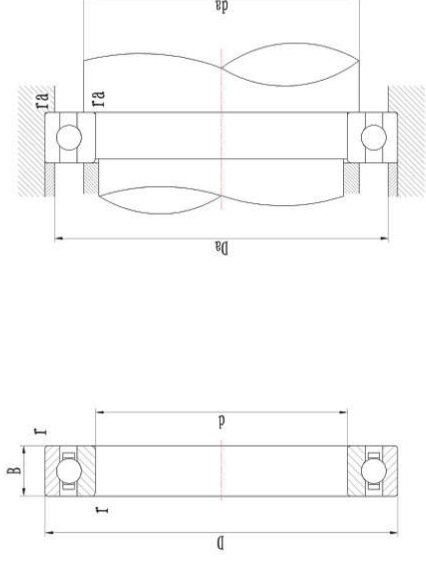
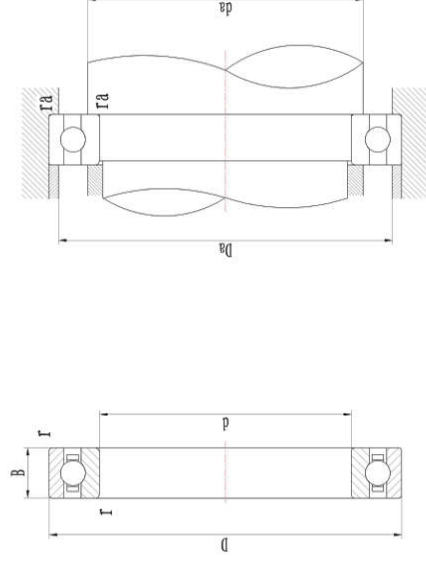


Deep groove ball bearing



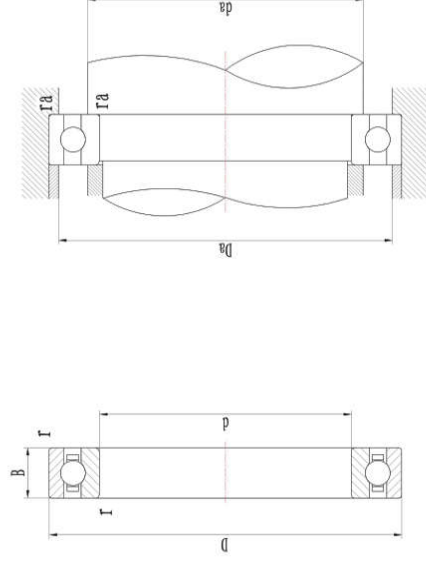
Dimensions			Basic Load Rating			Designation	Weight kg	Installation Size			Limiting Speed	
mm			kN					mm			r/min	
d	D	B	r _{min}	Cr	Cor		d _{amin}	D _{amax}	r _{amax}	Grease	Oil	
100	125	13	1	19.6	21.2	61820	0.31	120	1	4800	5700	
	140	20	1.1	45	41.9	61920	0.96	133.5	1	4500	5300	
110	140	16	1	28.1	30.7	61822	0.61	135	1	4300	5100	
	150	20	1.1	47.9	47.8	61922	1.04	116.5	43.5	1	4100	4900
120	150	16	1	29.0	33.0	61824	0.66	125	145	1	4000	4700
	165	22	1.1	57.2	56.9	61924	1.41	126.5	158.5	1	3800	4400
130	165	18	1.1	36.9	41.2	61826	0.94	136.5	158.5	1	3600	4300
	180	24	1.5	69.6	70.0	61926	1.86	138	172	1.5	3400	4100
140	175	18	1.1	38.2	44.4	61828	1.0	146.5	168.5	1	3400	4000
	190	24	1.5	71.3	74.8	61928	1.98	148	182	1.5	3200	3800
150	190	20	1.1	49.1	58.5	61830	1.15	156.6	183.5	1	3000	3600
	210	28	2	85	90.5	61930	2.59	159	201	2	2800	3400
160	200	20	1.1	48.5	61	61832	1.23	166.5	193.5	1	2800	3400
	220	28	2	87	96	61932	2.71	169	211	2	2600	3200
170	215	22	1.1	61.5	78	61834	1.9	176.5	208.5	1	2600	3200
	230	28	2	88.8	100	61934	2.85	179	221	2	2400	3000
180	225	22	1.1	62.3	78.5	61836	1.72	186.5	218.5	1	2400	3000
	250	33	2	119	133	61936	4.16	189	241	2	2200	2800
190	240	24	1.5	75.1	93.5	61838	2.53	198	232	1.5	2200	2800
	260	33	2	117	133	61938	5.18	199	251	2	2200	2800
200	250	24	1.5	74	98	61840	2.67	208	242	1.5	2200	2800
	280	38	2.1	149	168	61940	7.28	211	269	2	2000	2600
220	270	24	1.5	76.5	97.8	61844	2.9	228	262	1.5	1900	2400
	300	38	2.1	152	178	61944	7.88	231	289	2	1900	2400
240	300	28	2	83.5	108	61848	4.48	249	291	2	1800	2200
	320	38	2.1	154	190	61948	8.49	251	309	2	1800	2200
260	320	28	2	101	148	61852	4.84	269	311	2	1700	2000
	360	46	2.1	210	268	61952	14	271	349	2	1600	1900
280	350	33	2	133	191	61856	7.2	289	341	2	1600	1900
	380	46	2.1	209	272	61956	15.1	291	369	2	1500	1800

Deep groove ball bearing



d	Dimensions mm			Basic Load Rating kN			Designation	Weight kg	Installation Size mm		Limiting Speed r/min	
	D	B	r _{min}	Cr	Cor	d _{amin}			D _{amax}	f _{amax}	Grease	Oil
300	380	38	2.1	166	233	61860	10.3	311	369	2	1400	1700
	420	56	3	270	375	61960	24.5	313	407	2.5	1300	1600
320	400	38	2.1	168	244	61864	10.8	331	389	2	1300	1600
	440	56	3	275	392	61964	25.3	333	427	2.5	1200	1500
340	420	38	2.1	175	265	61868	11.5	351	409	2	1200	1500
	460	56	3	292	418	61968	26.6	353	447	2.5	1100	1400
360	440	38	2.1	192	290	61872	11.8	371	429	2	1100	1400
	480	56	3	280	425	61972	27.9	373	467	2.5	1100	1400
380	480	46	2.1	238	375	61876	19.5	391	469	2	1000	1300
	520	65	4	338	540	61976	40	425	475	3	1000	1300
400	500	46	2.1	241	390	61880	20.5	411	489	2	1000	1300
	540	65	4	335	540	61980	42	416	524	3	950	1200
420	520	46	2.1	245	410	61884	21.4	431	509	2	950	1200
	560	65	4	340	570	61984	43.6	436	544	3	900	1100
440	540	46	2.1	249	425	61888	22.3	451	529	2	900	1100
	600	74	4	395	680	61988	60.2	456	584	3	900	1100
460	580	56	3	310	550	61892	34.3	473	567	2.5	900	1100
	620	74	4	405	720	61992	62.6	476	604	3	850	1000
480	600	56	3	315	575	61896	35.4	493	587	2.5	850	1000
	650	78	5	450	815	61996	73.5	500	630	4	800	950
500	620	56	3	320	600	618500	37.2	513	607	2.5	800	950
	670	78	5	460	865	619500	82	520	650	4	750	900
530	650	56	3	325	625	618530	39.8	543	637	2.5	750	900
	710	82	5	455	870	619530	89.8	550	690	4	750	900
560	680	56	3	330	650	618560	41.5	573	667	2.5	700	850
	750	85	5	525	1040	619560	105	580	730	4	670	800
600	730	60	3	355	735	618600	50.9	613	717	2.5	670	800
	800	90	5	550	1160	619600	120	620	780	4	630	750

Deep groove ball bearing



Dimensions		Basic Load Rating			Designation	Weight	Installation Size		Limiting Speed	
mm		kN					mm		r/min	
d	D	B	r _{min}	Cr	Cor	d _{amin}	D _{amax}	r _{amax}	Grease	Oil
630	780	69	4	420	890	71.3	646	3	630	750
	850	100	6	625	1350	163	654	5	600	700
670	820	69	4	435	965	75.4	686	3	560	670
	900	103	6	675	1460	181	694	5	530	630
710	870	74	4	480	1100	92.6	726	3	530	630
	950	106	6	715	1640	220	734	5	500	600
750	920	78	5	525	1260	110	770	4	500	600
	1000	112	6	785	1840	245	774	5	480	560
800	980	82	5	530	1310	132	820	4	450	530
	1060	115	6	825	2050	275	824	5	430	500
850	1030	82	5	559	1430	140	868	4	410	470
	1120	118	6	832	2160	310	873	5	380	440
900	1090	85	5	618	1532	160	920	4	350	410
	1180	122	6	852	2280	350	923	5	320	380
950	1150	90	5	637	1730	190	968	4	290	350
	1250	132	6	1010	2800	390	978	5	260	320