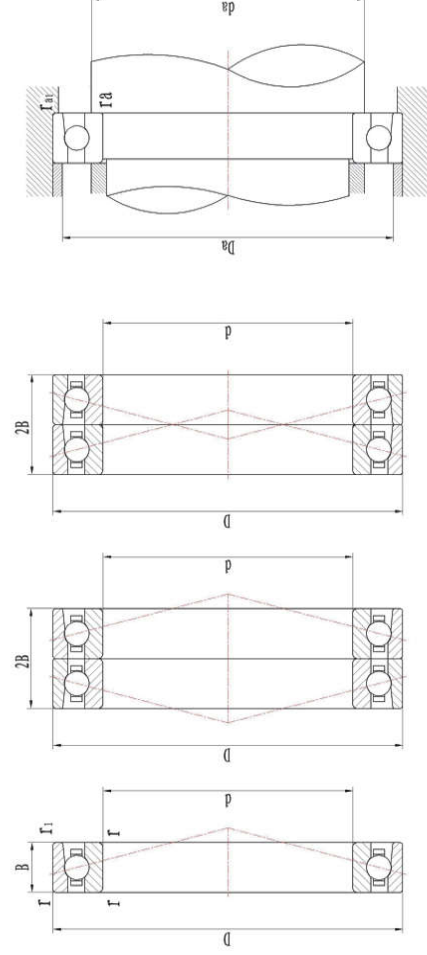


Angular contact ball bearing

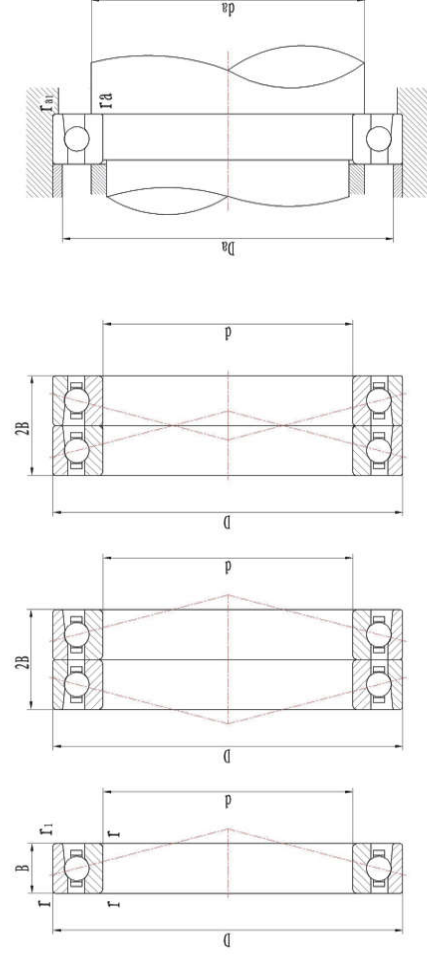


Dimensions			Basic Load Rating			Designation	Weight	Installation Size			Limiting Speed			
mm			kN					kg	mm			r/min		
d	D	B	r _{min}	r _{1min}	Cr	Cor		da	Da	r _a	r _{a1}	Grease	Oil	
100	128	13	1	0.3	21.2	27.5	71820	0.2	104.6	120.4	1	1	8500	13000
	140	20	1.1	0.6	60.6	65.5	71920	0.8	106	134	1	1	8500	14000
110	140	16	1	0.3	31.9	40.5	71822	0.51	114.6	135.4	1	1	8000	13000
	150	20	1.1	0.6	62.4	72	71922	0.86	116	144	1	1	8000	13000
120	150	16	1	0.3	33.2	45	71824	0.55	124.8	145.4	1	1	7500	12000
	150	20	1.1	0.6	24.7	25.5	71924	1.15	116	144	1	1	10000	15000
130	165	18	1.1	0.6	39	53	71826	0.7	136	159		1	7000	11000
	180	24	1.5	0.6	92.3	108	71926	1.55	137	173	1.5	1.5	7000	11000
140	175	18	1.1	0.6	44.9	62	71828	0.8	146	169	1	1	6300	10000
	190	24	1.5	0.6	95.6	116	71928	1.65	147	183	1.5	1.5	6700	10000
150	190	20	1.1	0.6	53.5	74.5	71830	1.32	156	184	1	1	6300	9500
	210	28	2	1	90	120	71930	3	160	200	2	1	6300	9500
160	200	20	1.1	0.6	54	78	71832	1.25	166	194	1	1	5600	8500
	220	28	2	1	109	129	71932	3	170	210	2	1	6000	9000
170	215	22	1.1	0.6	80	110	71834	2	175	210	1	1	5600	8500
	230	28	2	1	110	140	71934	3.3	179	221	2	2	5600	8500
190	260	33	2	1	139	177	71938	4.45	199	255	2	2	5000	7500

Note: 1. Rate and speed in the catalogue is changed with the change of contact angle, please consult CHG technical department.

2. Our company can also produce diameter series 7 bearings (Super thin-section), please consult CHG technical department.

Angular contact ball bearing

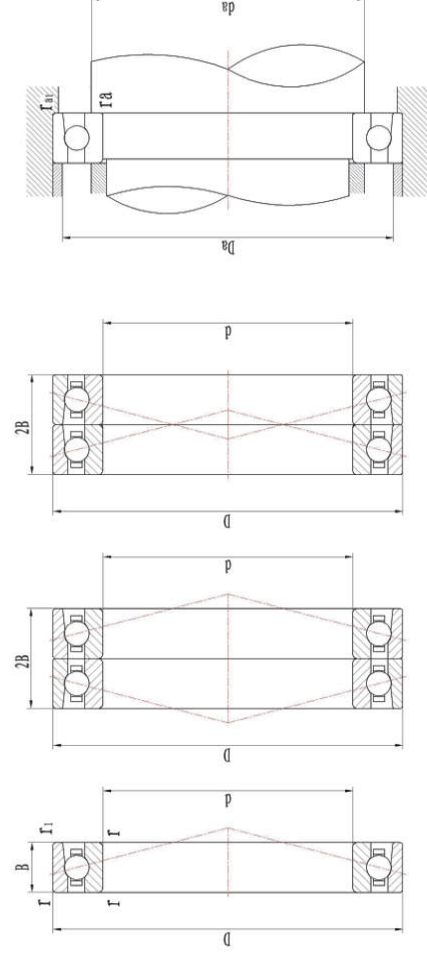


Dimensions			Basic Load Rating			Designation	Weight kg	Installation Size				Limiting Speed	
mm			kN					mm				r/min	
d	D	B	r _{min}	r _{1min}	Cr	Cor	da	Da	r _a	r _{a1}	Grease	Oil	
200	250	24	1.5	1	90	130	208.5	241.5	1.5	1	4300	6000	
	280	38	2.1	1.1	150	210	212	268	2	1	4300	6000	
220	270	24	1.5	1	151	263	228.5	261.5	1.5	1	3800	5600	
	300	38	2.1	1.1	200	250	232	288	2	1	3800	5600	
240	300	28	2	1	128	175	250	290	2	1	3200	4800	
	320	38	2.1	1.1	203	285	252	308	2	1	3200	4800	
260	320	28	2	1	127	190	270	310	2	1	1400	1900	
	360	46	2.1	1.1	242	345	272	348	2	1	1300	1800	
280	350	33	2	1	140	216	290	340	2	1	1200	1700	
	380	46	2.1	1.1	226	337	292	368	2	1	1100	1600	
320	400	38	2.1	1.1	190	290	332	388	2	1	800	1000	
	440	56	3	1.1	350	550	334	426	2.5	1	800	1000	
340	460	56	3	1.1	292	510	354	446	2.5	1	800	1000	
	440	38	2.1	1.1	219	345	372	428	2	1			
360	480	56	3	1.1	350	600					800	1000	
	480	46	2.1	1.1	261.9	450	392	468	2	1	1700	2400	
380	520	65	4	1.5	369	661.5	395	505	3	1	850	1200	
	500	46	2.1	1.1	292	501	412	488	2	1			
400	540	65	4	1.5	380.7	702	415	525	3	1	800	1100	

Note: 1. Rate and speed in the catalogue is changed with the change of contact angle, please consult CHG technical department.

2. Our company can also produce diameter series 7 bearings (Super thin-section), please consult CHG technical department.

Angular contact ball bearing



Dimensions			Basic Load Rating			Designation	Weight	Installation Size			Limiting Speed		
mm			kN					kg	mm			r/min	
d	D	B	r _{min}	r _{1min}	Cr	Cor			da	Da	r _a	r _{a1}	Grease
420	520	46	2.1	1.1	294	513	71884	20.4	508	2	1	750	1000
	560	65	4	1.5	327	603	71984	44.5	545	3	1	700	950
440	540	46	2.1	1.1	301	540	71888	21.1	528	2	1	750	1000
	600	74	4	3	456.3	936	71988	61	455	3	1	750	1000
460	580	56	3	3	334	689	71892	34.5	474	2.5	1	850	1000
	620	74	4	1.5	456	936	71992	58	475	3	1	750	900
480	600	56	3	1.1	415	820	71896	35.5	494	2.5	1	850	1200
	620	56	3	1.1	351	765	718/500	38	514	2.5	1	670	900
530	670	78	5	2	498	1098	719/500	78	518	4	1	630	850
	650	56	3	1.1	369	837	718/530	39.5	544	2.5	1	1100	1600
560	710	82	5	2	556	1206	719/530	92	558	4	1	1000	1500
	680	56	3	1.1	341	837	718/560	41.5	574	2.5	1	600	800
600	750	85	5	2	533	1161	719/560	105	578	4	2	560	750
	730	60	3	1.1	421	1044	718/600	47	614	2.5	1	560	750
630	800	90	5	2	644	1557	719/600	125	618	4	2	900	1300
	780	69	4	1.5	518	1160	718/630	69.7	648	3.1	1.5		
670	820	69	4	1.5	498	1161	718/670	77	688	3	1.5	850	1200
	710	870	74	4	1.5	546	718/710	93.5	725	3	1	800	1100
750	950	106	6	3	767	1980	719/710	195	733	5	2	800	1100
	920	78	5	2	585	1620	718/750	110	768	4	2	400	530
850	1030	82	5	2	620	1674	718/850	140	868	4	2	340	450

Note: 1. Rate and speed in the catalogue is changed with the change of contact angle, please consult CHG technical department.

2. Our company can also produce diameter series 7 bearings (Super thin-section), please consult CHG technical department.